

SIZE DESCRIPTION:

THICKNESS x WIDTH x LENGTH  
(AS SHOWN ABOVE)

MATERIALS:

1800°F INSULFRAX, 2300°F DURABLANKET S,  
2300°F ISOFRAX, 2400°F DURABLANKET HPS,  
2600°F DURABLANKET 2600  
HIGHER TEMPERATURE BLANKET IS AVAILABLE

AVAILABLE MODULE DENSITIES: 8, 9, 9.3, 10, 10.7, & 12 PCF

STANDARD ATTACHMENT:

ROUND Z-BLOK WASHER CAN BE PLUG-WELDED  
OR THRU-BOLTED. RECTANGULAR Z-BLOK CLIP  
CAN BE THRU-BOLTED.

CHANNEL SPACING:

SINGLE CHANNEL IS CENTERED IN COLD FACE  
OF MODULE UNLESS OTHERWISE SPECIFIED

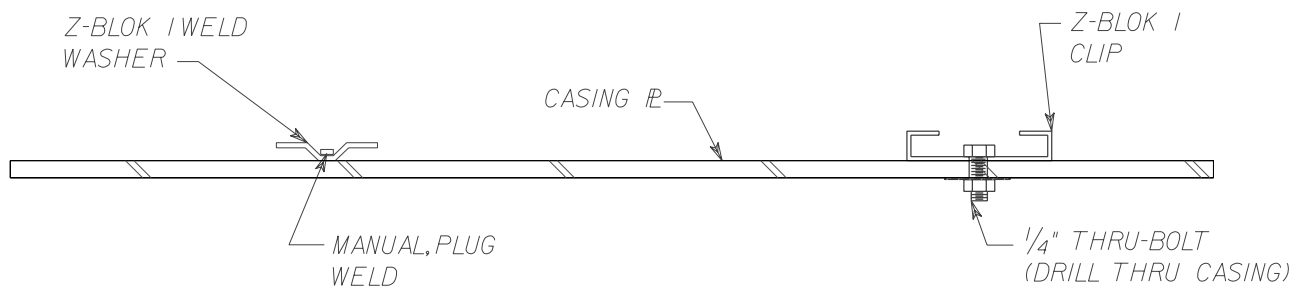
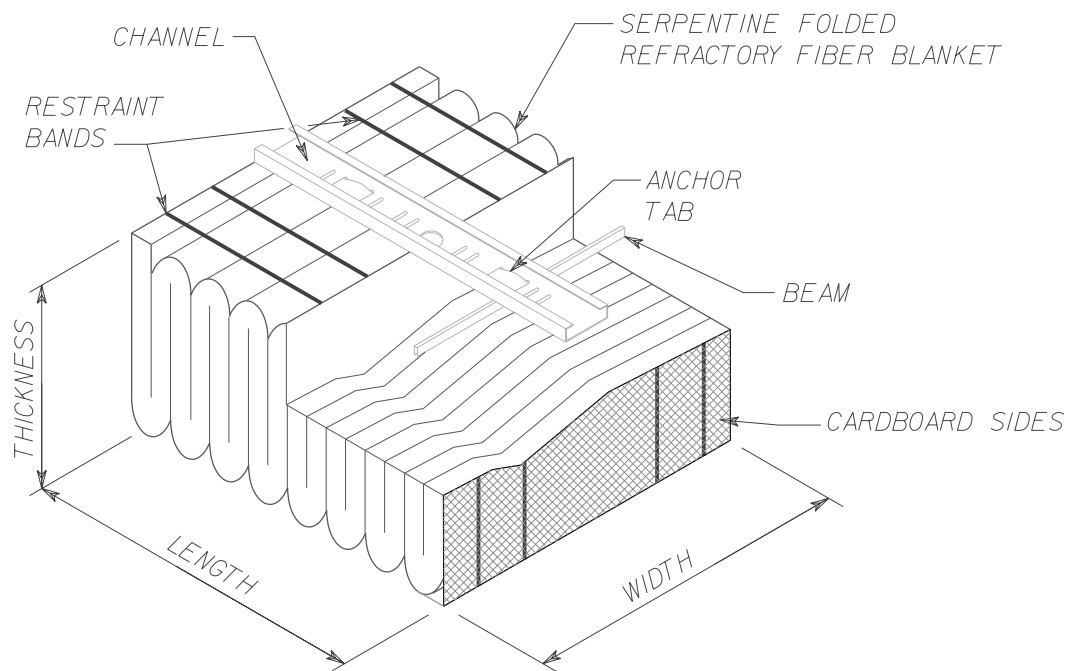
CHANNEL SPACING WILL BE ESTABLISHED FOR  
MULTIPLE CHANNEL LOCATIONS OR OFF-CENTER  
LOCATIONS BY A SEQUENCE OF NUMBERS WHICH  
ADD UP TO THE MODULE WIDTH.

DATE 12-06-00
SCALE N.T.S.
DRAWN JAM
APPR'D DLM

Z-BLOK I MODULE DESCRIPTION STANDARDS

THORPE PRODUCTS COMPANY  
HOUSTON DALLAS BEAUMONT

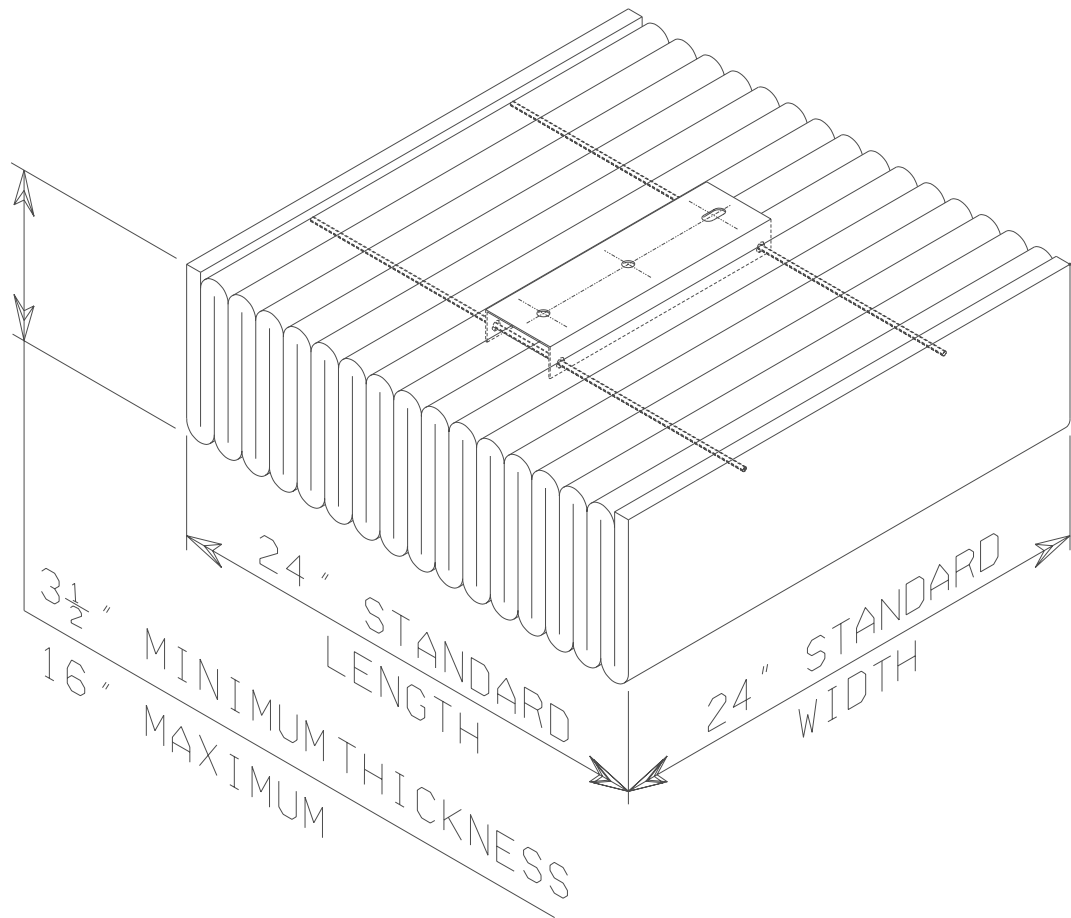
DATE	REV.
	0
DRWG NO	
HH-MF-001	



DATE	2-1-04
SCALE	N.T.S.
DRAWN	JAM
APPR'D	MAB

TYPICAL ANCHORING OPTIONS FOR Z-BLOK I MODULES		
THORPE PRODUCTS COMPANY		
HOUSTON	DALLAS	BEAUMONT

DATE	REV.
	0
DRWG NO	
HH-MF-015	



SIZE DESCRIPTION:

THICKNESS x WIDTH x LENGTH  
(AS SHOWN ABOVE)

MATERIALS:

1800°F INSULFRAX, 2300°F DURABLANKET S,  
2300°F ISOFRAX, 2400°F DURABLANKET HPS,  
2600°F DURABLANKET 2600  
HIGHER TEMPERATURE BLANKET IS AVAILABLE

AVAILABLE MODULE DENSITIES: 8, 9, 9.3, 10, 10.7 & 12 PCF

STANDARD ATTACHMENT:

3/8" WELD STUD, 5/16" THRU BOLT OR  
SLIDE CHANNEL WITH Z-BLOK WASHER

CHANNEL SPACING:

SINGLE CHANNEL IS CENTERED IN COLD FACE  
OF MODULE UNLESS OTHERWISE SPECIFIED

NUMBER OF BEAMS:

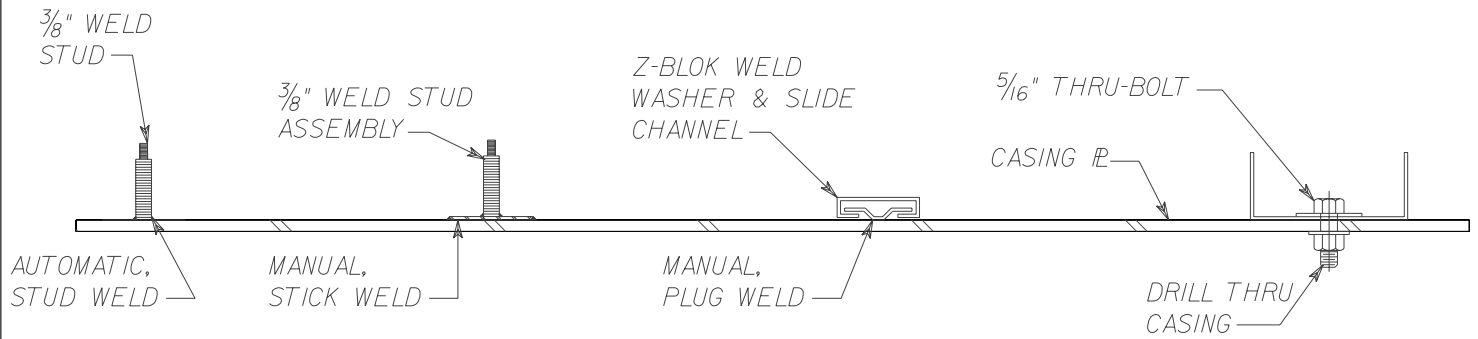
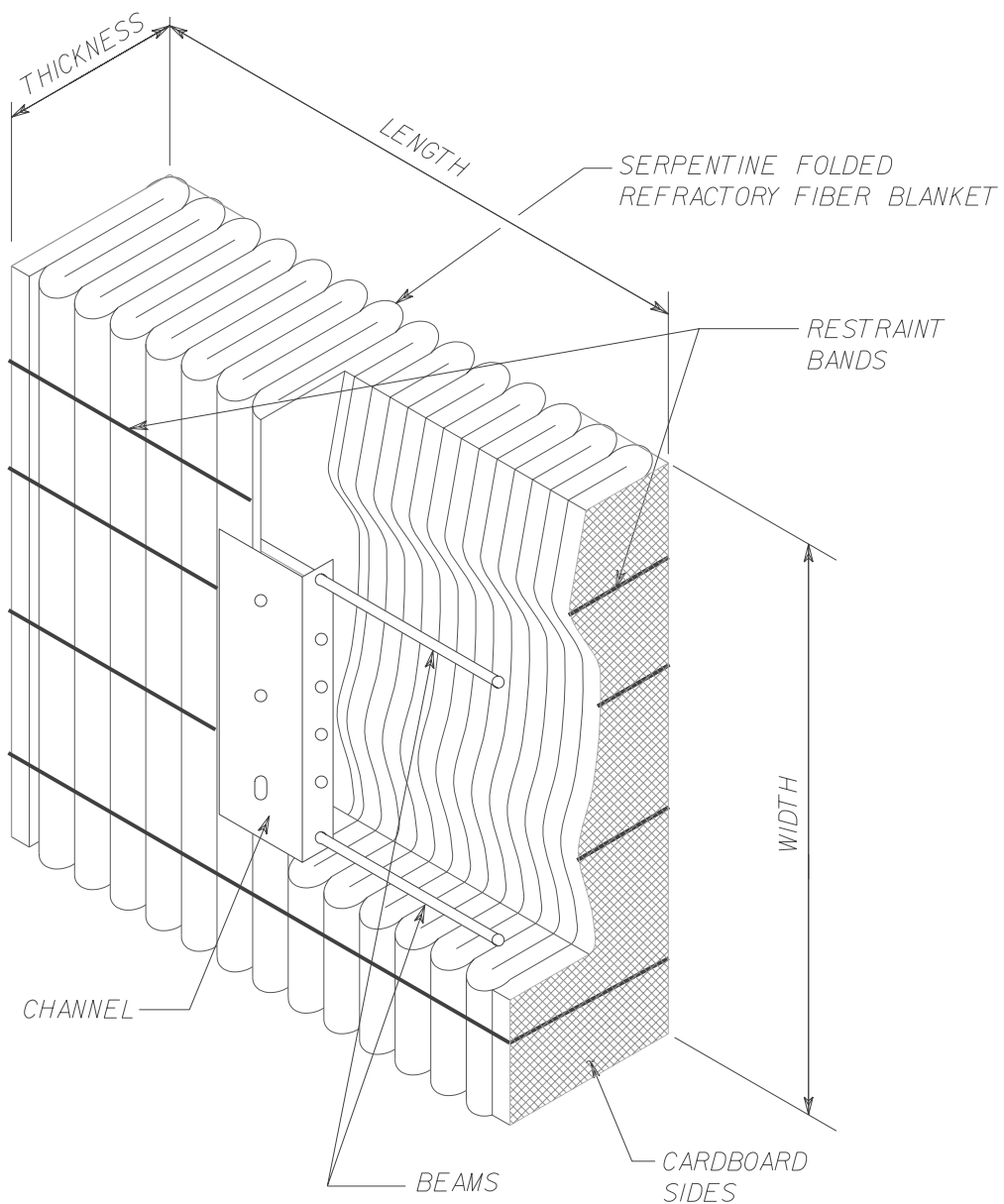
TWO BEAMS ARE STANDARD. MAXIMUM OF  
SIX ARE AVAILABLE

DATE 12-06-00
SCALE N.T.S.
DRAWN JAM
APPR'D DLM

Z-BLOK II MODULE DESCRIPTION STANDARDS

THORPE PRODUCTS COMPANY  
HOUSTON DALLAS BEAUMONT

DATE	REV.
	0
DRWG NO	
HH-MF-002	



DATE 2-1-04	TYPICAL ANCHORING OPTIONS FOR Z-BLOK II MODULES	DATE	REV.
SCALE N.T.S.			0
DRAWN JAM	THORPE PRODUCTS COMPANY HOUSTON DALLAS BEAUMONT	DRWG NO	
APPR'D MAB		HH-MF-014	